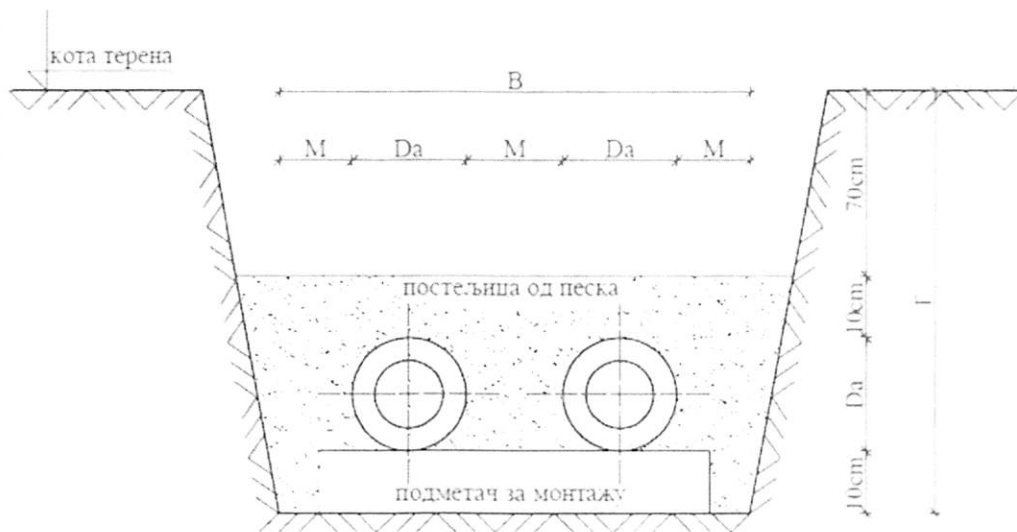




ЖКП „Градска топлана“ Пирот, ул. Нишавска бр.11, Пирот 18300;
 тел: 010 321 119; тел/фах: 010 324 743; инфо центар: 0800/001-004
 web site: www.toplanapi.rs , e-mail: office@toplanapi.rs, toplanapirot@gmail.com

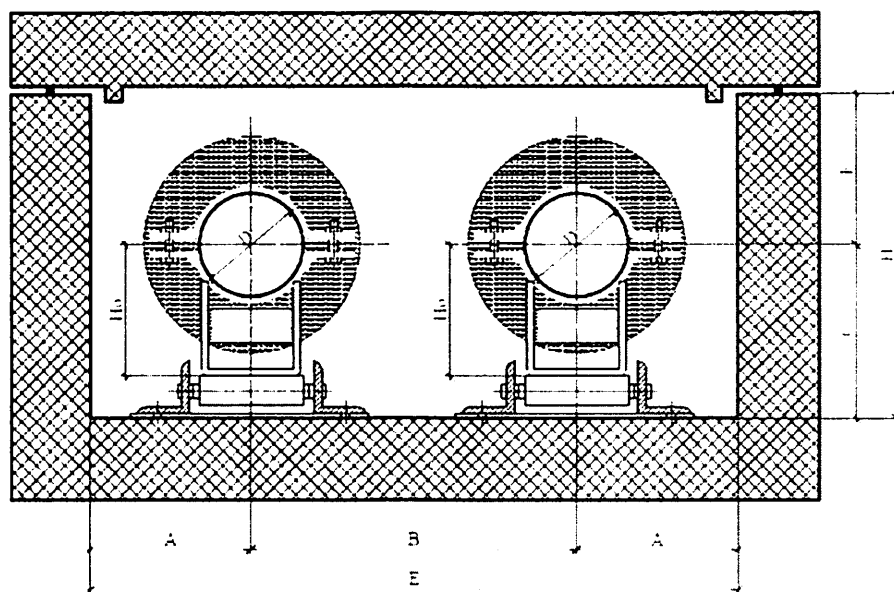
ПРИЛОГ 8: ДИМЕНЗИЈЕ РОВА ЗА ПРЕДИЗОЛОВАНЕ ТОПЛОВОДЕ



РЕДНИ БРОЈ	НАЗИВНИ ПРЕЧНИК ЦЕВИ	ПРЕЧНИК ОМОТАЧА ЦЕВИ	НАЈМАЉЕ РАСТОЈАЊЕ ЦЕВИ	ШИРИНА ДНА РОВА	ДУБИНА РОВА
	DN	Da (mm)	M (mm)		
1	500	670	600	3140	1570
2	400	560	500	2620	1460
3	350	500	400	2200	1400
4	300	450	400	2100	1350
5	250	400	400	2000	1300
6	200	315	300	1550	1215
7	150	250	200	1100	1150
8	125	225	200	1050	1125
9	100	200	200	1000	1100
10	80	160	200	920	1060
11	65	140	150	750	1040
12	50	125	150	700	1025
13	40	110	150	670	1010
14	32	110	150	670	1010
15	25	90	150	630	990

Димензије канала и ослонаца

ПРИЛОГ 10: ДИМЕНЗИЈЕ КАНАЛА И ОСЛОНАЦА



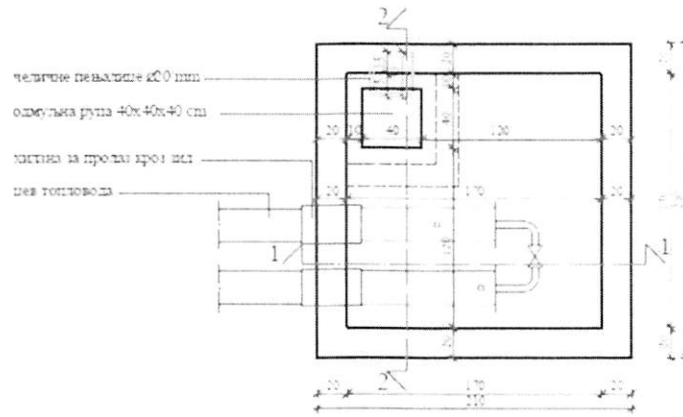
НУМЕР (ДН)	ПРЕЧНИК ЦЕВИ(Д)	ТИП КАНАЛА	A	B	E	H	C	F	H ₀	ТИП КЛИЗНОГ ОСЛОНЦА
	DN		(mm)	(mm)	(mm)	(mm)	(mm)	(mm)	(mm)	
1	500	I	450	1040	2000	1160	510	890	430	T53
2	400	II	415	670	1500	900	430	470	390	T53
3	350	II	415	670	1500	900	430	470	390	T53
4	300	III	350	600	1390	800	400	400	340	T53
5	250	IV	330	540	1290	750	380	370	310	T53
6	200	V	280	540	1190	610	310	300	270	T53
7	150	VI	250	400	900	550	280	270	210	T53
8	125	VII	230	340	800	460	240	220	210	T63
9	100	VIII	160	280	600	460	240	220	210	T63
10	80	VIII	160	280	600	460	240	220	210	T63
11	65	VIII	160	280	600	460	240	220	210	T63
12	50	VIII	160	280	600	460	240	220	210	T63
13	40	VIII	160	280	600	460	240	220	210	T63
14	32	IX	130	240	500	350	180	170	160	T63
15	25	IX	130	240	500	350	180	170	160	T63

НАПОМЕНА

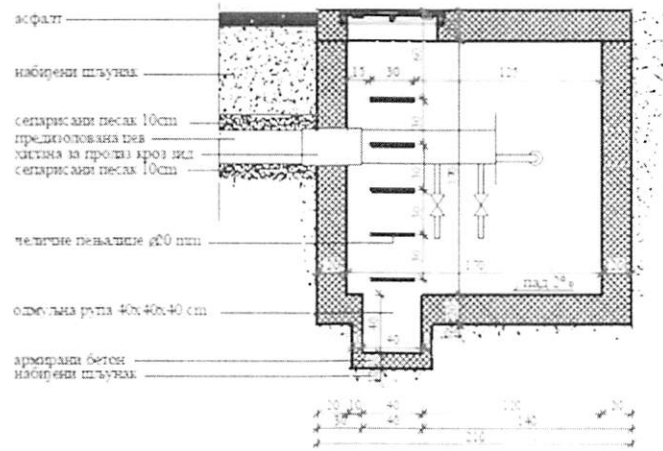
величине које одступају од стандардних
укладити према табели

Шахта за топоводну инсталацију

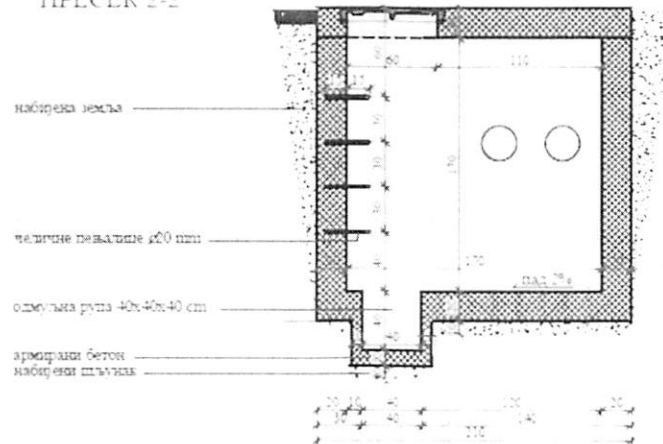
ПРИЛОГ 10: ШАХТА ЗА ТОПОВОДНУ ИНСТАЛАЦИЈУ



ПРЕСЕК 1-1

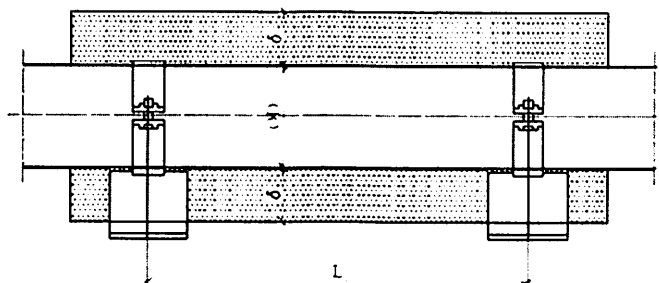


ПРЕСЕК 2-2



Растојања клизних ослонаца и дебљина изолације

РАСТОЈАЊА КЛИЗНИХ ОСЛОНАЦА И
ДЕБЉИНЕ ИЗОЛАЦИЈЕ



РЕДНИ БРОЈ	OD	ПРЕЧНИК ЦЕВИ: DN	δ	G	L
	(mm)	DN	(mm)	(mm)	(mm)
1	269 x 23	20	50	749	1900
2	337 x 26	25	50	657	2000
3	424 x 26	32	50	758	2400
4	483 x 26	40	50	873	2600
5	603 x 29	50	60	1236	2900
6	761 x 29	65	60	1550	3800
7	889 x 32	80	70	2040	4100
8	1080 x 36	100	70	2599	4600
9	1330 x 40	125	70	3374	5100
10	1590 x 45	150	80	4707	5600
11	2192 x 59	200	80	7895	6700
12	2670 x 63	250	100	11279	7300
13	3239 x 71	300	100	15858	8100
14	3680 x 80	350	100	19212	8600
15	4190 x 100	400	100	28145	9400
16	4872 x 100	450	100	28666	10700
17	5080 x 110	500	100	34834	11700
18	5585 x 120	550	100	42268	12600

НАПОМЕНА

димензије и тежине важе за цеви према ЈС С В5 221

уобичајене дебљине зидова и температуре до 150 °С

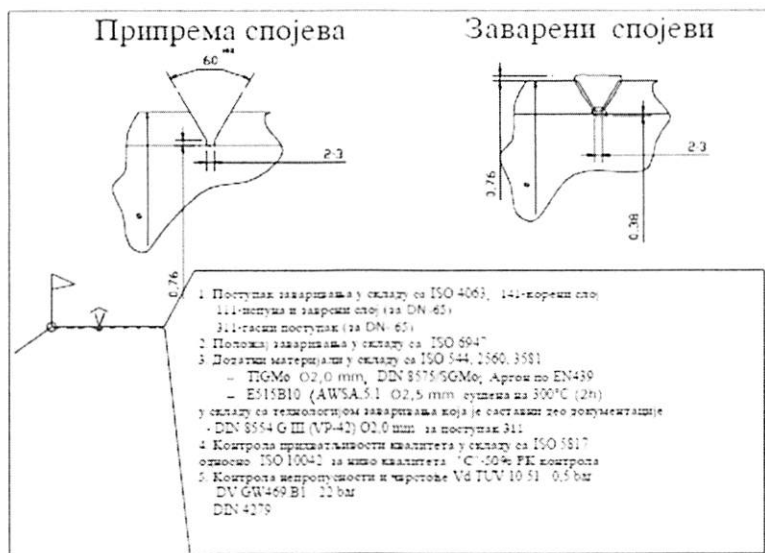
спеш. густина изолационог материјала 120 kg/m³

максимални угло цеви

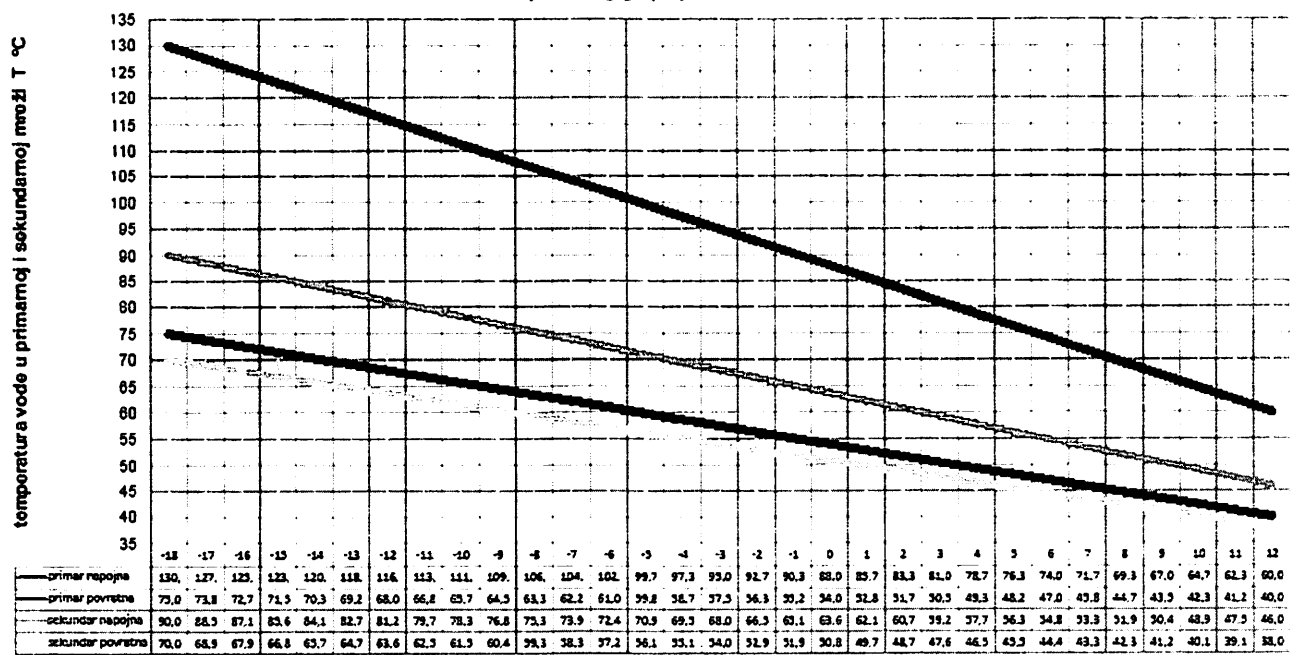
до О57 f=3mm

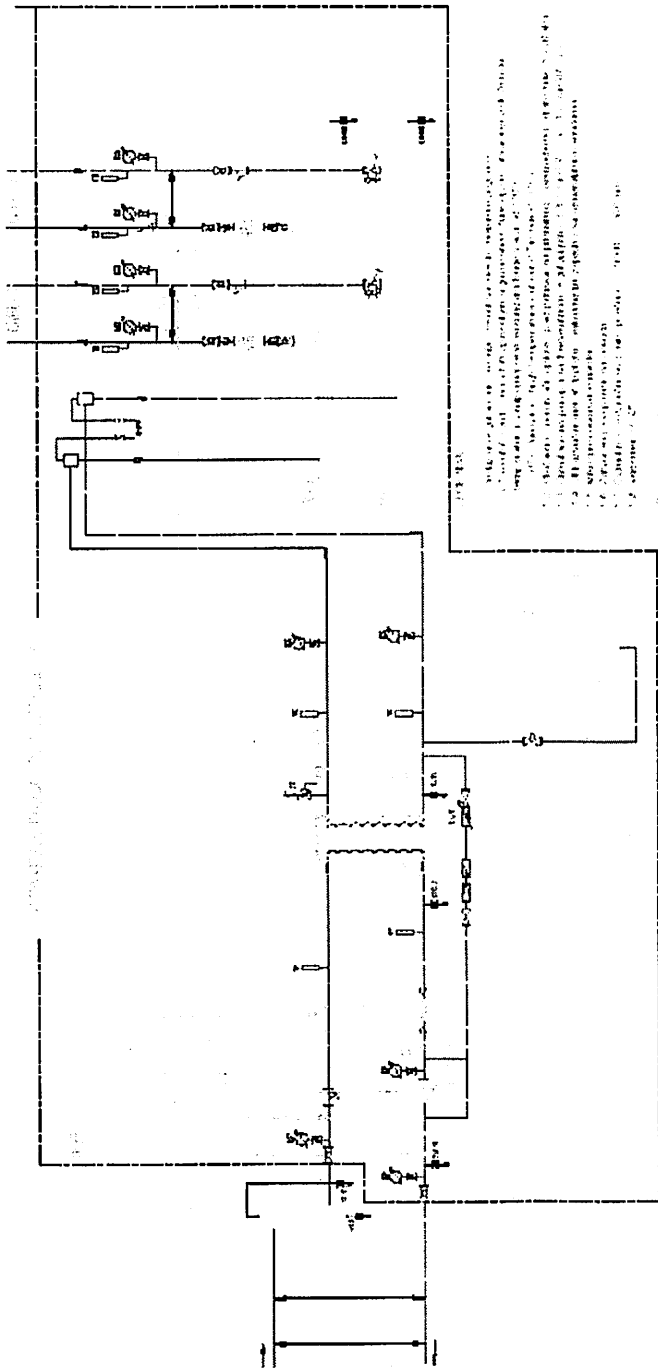
изнад О76 f=5mm

Припрема спојева, заварени спојеви



JKP "Gradska toplana" Pirot
 Klizni dijagram kvalitativne regulacije vrelovodne mreže 130 / 75 °C i
 radijatorskog grejanja 90 / 70 °C





This diagram is a schematic representation of the electrical system for the building. It shows the main power supply entering from the left, which then branches out to various rooms and fixtures. The diagram includes a central panel with multiple switches and light fixtures connected to it. The wiring is shown as solid lines, and the components are represented by standard electrical symbols. The diagram is labeled 'ELECTRICAL WIRING DIAGRAM' and includes various symbols for switches, light fixtures, and electrical components.

The diagram is a schematic representation of the electrical system for the building. It shows the main power supply entering from the left, which then branches out to various rooms and fixtures. The diagram includes a central panel with multiple switches and light fixtures connected to it. The wiring is shown as solid lines, and the components are represented by standard electrical symbols. The diagram is labeled 'ELECTRICAL WIRING DIAGRAM' and includes various symbols for switches, light fixtures, and electrical components.

The diagram is a schematic representation of the electrical system for the building. It shows the main power supply entering from the left, which then branches out to various rooms and fixtures. The diagram includes a central panel with multiple switches and light fixtures connected to it. The wiring is shown as solid lines, and the components are represented by standard electrical symbols. The diagram is labeled 'ELECTRICAL WIRING DIAGRAM' and includes various symbols for switches, light fixtures, and electrical components.

The diagram is a schematic representation of the electrical system for the building. It shows the main power supply entering from the left, which then branches out to various rooms and fixtures. The diagram includes a central panel with multiple switches and light fixtures connected to it. The wiring is shown as solid lines, and the components are represented by standard electrical symbols. The diagram is labeled 'ELECTRICAL WIRING DIAGRAM' and includes various symbols for switches, light fixtures, and electrical components.